

STR180 Series Overview

Description

The through-bore provides routing space for hydraulics, pneumatics or for a concentric shaft mount.

The STR180 with 180mm through hole, 298mm OD, uses our unique fiber brush technology which offers several advantages over conventional slip ring contacts, including multiple points of contact per brush bundle, low noise, electrical and low contact wear rates. It can transmit signal(2A), 10A, multiple 10A current when 360° degree free rotating.



Specifications

Item	
Operating Speed	Max. 150 RPM*
Number of Circuits	2~120 wires
Lead Wire	AWG22#, AWG16# Teflon, 300mm
Voltage	600V AC/DC
Operating Temperature	-40℃ to 80℃
Current Rating	Signal / 5A, 10A circuits
Noise	<0.01Ω
Torque	0.1N.m; +0.03N.m/6rings
Housing Material	Al alloy
Protection Grade	IP51

* Please note that the operational life of the unit is dependent upon rotational speed, environment and temperature

Options

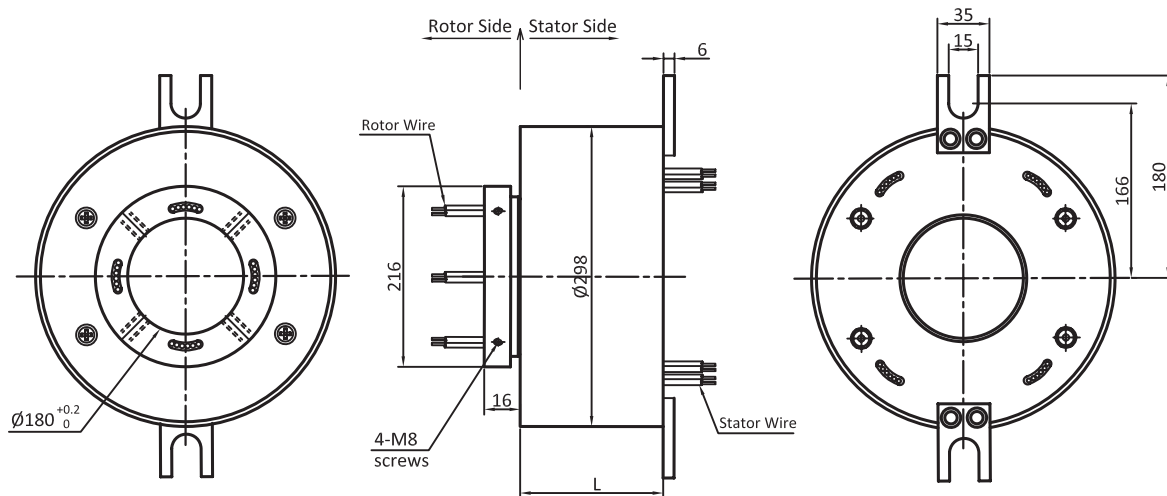
- Flange with 4 mounting holes
- Splash seals for dust and moisture resistance
- Various axial and radial lead exits are available
- Longer lead lengths are available
- Higher current and voltage capacity per circuit
- Support mixed high speed data transmission
- Hybrid Pneumatic/hydraulic and electric slip ring can be mixed.
- Aviation plug, terminal and heat-shrink tube are optional
- IP 65 rated slip ring available

INTRODUCE

STR180

2

STR180 Series Dimensions



Notes:

1. Drawings not actual size, dimensions are in millimeters
2. Rotor and stator leads exit 4 places, 90° apart
3. Flange mounting is options

Part# List

Model#	Power(10A)	Signal or 5A	Length(mm)	Model#	Power(10A)	Signal or 5A	Length(mm)
STR180-P2	2	0	75	STR180-S24	0	24	207
STR180-S2	0	2	75	STR180-P24	24	0	207
STR180-P3	3	0	81	STR180-P6S24	6	24	243
STR180-P2S2	2	2	87	STR180-P18S12	18	12	243
STR180-P4	4	0	87	STR180-P30	30	0	243
STR180-S6	0	6	99	STR180-S30	0	30	243
STR180-P6	6	0	99	STR180-S36	0	36	285
STR180-P12	12	0	135	STR180-P12S24	12	24	285
STR180-S12	0	12	135	STR180-P36	36	0	285
STR180-P2S10	2	10	135	STR180-S42	0	42	321
STR180-P4S8	4	8	135	STR180-P6S36	6	36	321
STR180-P6S6	6	6	135	STR180-S48	0	48	357
STR180-P6S12	6	12	171	STR180-P12S36	12	36	357
STR180-P18	18	0	171	STR180-S56	0	56	405
STR180-S18	0	18	171	STR180-P6S50	6	50	405
STR180-P10S8	10	8	171	STR180-P12S44	12	44	405
STR180-P06S18	6	18	207	STR180-P6S54	6	54	429
STR180-P12S12	12	12	207	STR180-S72	0	72	501

Notes: Not all of the part number are list in this table, if can not find suitable products, please contact us!

Lead wire color code(From the rotor)

Ring#	Color	Description/AWG	Ring#	Color	Description/AWG
1	RED	Signal / AWG22# 10A / AWG16#	7	RED	Signal / AWG22# 10A / AWG16#
2	BLK		8	BLK	
3	BLU		9	BLU	
4	BRN		10	BRN	
5	WHT		11	WHT	
6	GRY		12	GRY	

Notes:

6 wires for 1 group color, from 7~12 circuits would repeat the same color.