

INTRODUCE

STR150

1

STR150 Series Overview

Description

The through-bore provides routing space for hydraulics, pneumatics or for a concentric shaft mount.

The STR150 with 150mm through hole, 248mm OD, uses our unique fiber brush technology which offers several advantages over conventional slip ring contacts, including multiple points of contact per brush bundle, low noise, electrical and low contact wear rates. It can transmit signal(2A), 10A, multiple 10A current when 360° degree free rotating.



Specifications

Item	
Operating Speed	Max. 150 RPM*
Number of Circuits	2~120 wires
Lead Wire	AWG22#, AWG16# Teflon, 300mm
Voltage	600V AC/DC
Operating Temperature	-40℃ to 80℃
Current Rating	Signal / 5A, 10A circuits
Noise	<0.01Ω
Torque	0.1N.m; +0.03N.m/6rings
Housing Material	Al alloy
Protection Grade	IP51

* Please note that the operational life of the unit is dependent upon rotational speed, environment and temperature

Options

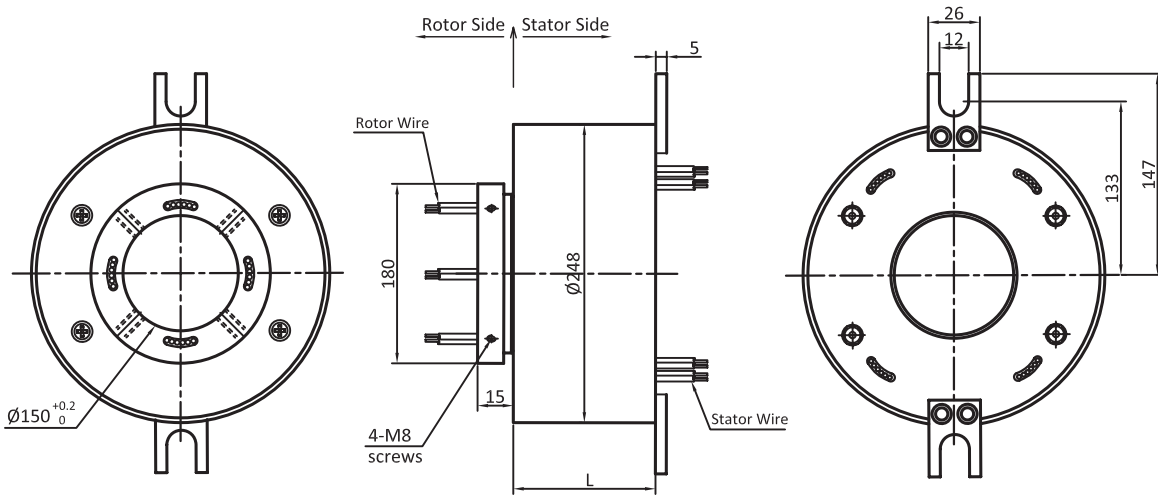
- Flange with 4 mounting holes
- Splash seals for dust and moisture resistance
- Various axial and radial lead exits are available
- Longer lead lengths are available
- Higher current and voltage capacity per circuit
- Support mixed high speed data transmission
- Hybrid Pneumatic/hydraulic and electric slip ring can be mixed.
- Aviation plug, terminal and heat-shrink tube are optional
- IP 65 rated slip ring available

INTRODUCE

STR150

2

STR150 Series Dimensions



Notes:

1. Drawings not actual size, dimensions are in millimeters
2. Rotor and stator leads exit 4 places, 90° apart
3. Flange mounting is options

Part# List

Model#	Power(10A)	Signal or 5A	Length(mm)	Model#	Power(10A)	Signal or 5A	Length(mm)
STR150-P2	2	0	67	STR150-S24	0	24	177
STR150-S2	0	2	67	STR150-P24	24	0	177
STR150-P3	3	0	72	STR150-P6S24	6	24	207
STR150-P2S2	2	2	77	STR150-P18S12	18	12	207
STR150-P4	4	0	77	STR150-P30	30	0	207
STR150-S6	0	6	87	STR150-S30	0	30	207
STR150-P6	6	0	87	STR150-S36	0	36	242
STR150-P12	12	0	117	STR150-P12S24	12	24	242
STR150-S12	0	12	117	STR150-P36	36	0	242
STR150-P2S10	2	10	117	STR150-S42	0	42	272
STR150-P4S8	4	8	117	STR150-P6S36	6	36	272
STR150-P6S6	6	6	117	STR150-S48	0	48	302
STR150-P6S12	6	12	147	STR150-P12S36	12	36	302
STR150-P18	18	0	147	STR150-S56	0	56	342
STR150-S18	0	18	147	STR150-P6S50	6	50	342
STR150-P10S8	10	8	147	STR150-P12S44	12	44	342
STR150-P06S18	6	18	177	STR150-P6S54	6	54	372
STR120-P12S12	12	12	177	STR150-S72	0	72	432

Notes: Not all of the part number are list in this table, if can not find suitable products, please contact us!

Lead wire color code(From the rotor)

Ring#	Color	Description/AWG	Ring#	Color	Description/AWG
1	RED	Signal / AWG22# 10A / AWG16#	7	RED	Signal / AWG22# 10A / AWG16#
2	BLK		8	BLK	
3	BLU		9	BLU	
4	BRN		10	BRN	
5	WHT		11	WHT	
6	GRY		12	GRY	

Notes:

6 wires for 1 group color, from 7~12 circuits would repeat the same color.