

STR005 Series Overview

Description

A slip ring can be used in any electromechanical system that requires unrestrained, continuous rotation while transferring power and / or data from a stationary to a rotating structure. A slip ring is also called a rotary electrical interface, electrical collector, swivel, or a rotary joint.

The STR005 series slip ring with 5mm hole for installation, and compact 22mm outside diameter for minimal space applications.



Specifications

Item	
Operating Speed	Max.250 RPM*
Number of Circuits	6,12 wires
Lead Wire	AWG28# 250mm
Voltage	240V AC/DC
Operating Temperature	-20℃ to 60℃
Current Rating	Signal / 2A circuits
Noise	<0.01Ω
Torque	0.02N.m
Housing Material	Plastic
Protection Grade	IP51

* Please note that the operational life of the unit is dependent upon rotational speed, environment and temperature

Options

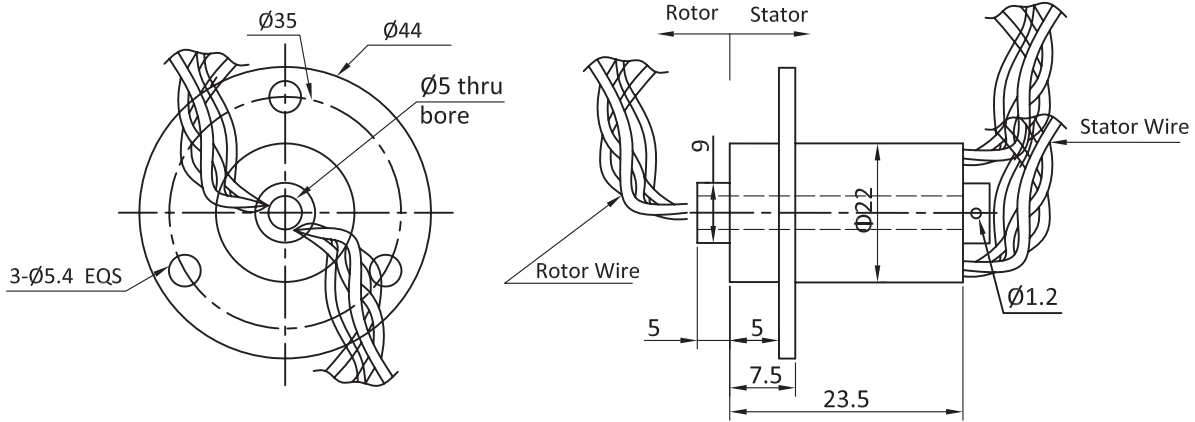
- Flange or non-flange
- Longer lead lengths are available
- Hybrid Pneumatic/hydraulic and electric slip ring can be mixed.
- Terminal and heat-shrink tube are optional

INTRODUCE

STR005

2

STR005 Series Dimensions



Notes:

- 1. Drawings not actual size, dimensions are in millimeters

Part# List

Model#	Power Circuits(5A/10A)	Signal (2A)	Voltage(V)	OD(mm)	Length(mm)
STR005-S06	-	6	240	22	19
STR005-S12	-	12	240	22	23.5

Lead wire color code(From the rotor)

Ring#	Color	Description/AWG	Ring#	Color	Description/AWG
1	BLK	Signal / 2A, AWG28#	7	BLU	Signal / 2A, AWG28#
2	BRN		8	VIO	
3	RED		9	GRY	
4	ORN		10	WHT	
5	YEL		11	PINK	
6	GRN		12	SOFT-BLU	

Notes:

12 wires for 1 group color, from 12~24 circuits would repeat the same color.