

MP6-H Series Overview

Description

Cosmau MP6-H series multiple passage rotary unions with 6 channel for media transfer, design for oil, water and coolant in rotating system.

- Transmit hydraulic oil, water and coolant when 360°unrestricted rotation
- Combined with electrical slip ring,transfer power,control signal, data
- Through hole or flange structure optional
- Available all kinds of custom solutions



Specifications

Item	
Pneumatic Channel	6
Pressure	Max. 350bar
Connection Szie	1/8" 1/4", 3/8", 1/2", 3/4", 1"
Connection Type	BSP
Operating Temperature	-18° C to 150° C
Suitable Media	Oil / Water / Coolant
Speed	Max. 300 RPM
Material	AL alloy housing, Carbon Steel / Stainless Steel Shaft

Note: All values listed under Technical Specifications are dependent on a combination of all application parameters. Please note service life is dependent upon both rotational speed and duty cycle.

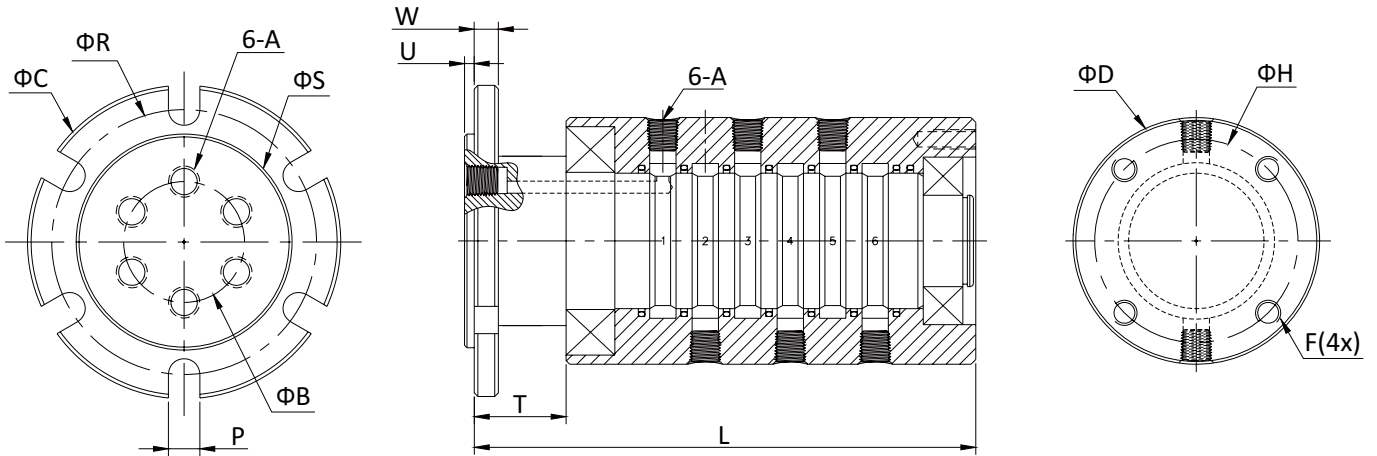
Options

- Mounting Flange / Through Hole
- Connection Size
- Connection Type
- Material
- Pressure
- Media
- Optional Speed
- Combine with electrical slip ring

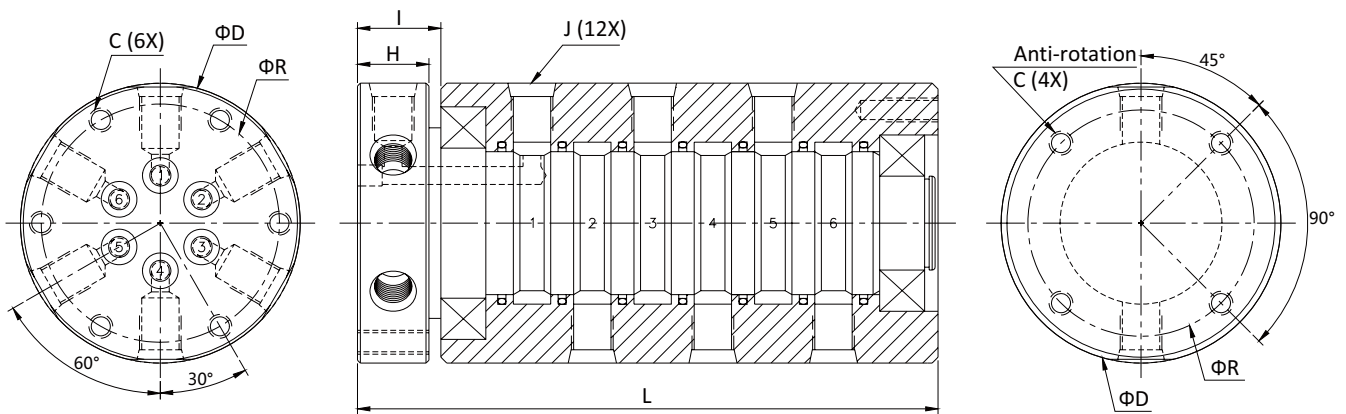
INTRODUCE

MP6-H

MP6-H Series Dimensions



Part#	A(BSPP/NPT)	ΦB	ΦC	ΦD	ΦR	ΦS	U	W	T	P	F	ΦH	L
MP-601-H	1/8"	41.5	84.5	69.5	74	62.5	3	6	24	6.5	M6	59	178.2
MP-602-H	1/4"	45	89.5	73.5	79	68	3	6	24	6.5	M6	63	192
MP-603-H	3/8"	51	99.5	84	89	77.5	3	6	24	6.5	M6	73.5	212.4
MP-604-H	1/2"	67.5	129.5	98.5	116.5	100	3	8	32	9	M8	85.5	263.4
MP-605-H	3/4"	83.5	149.5	118.5	136.5	121	4	9	32	9	M8	105.5	299.5



Part#	J(BSPP/NPT)	ΦR	C	ΦD	H	I	L
AP-601-H	1/8"	59	M6	69.5	19.5	20	179.2
AP-602-H	1/4"	59	M6	69.5	22.5	23	189.4
AP-603-H	3/8"	64	M6	74.5	28.5	29	223
AP-604-H	1/2"	87	M8	99.5	33.5	34	266
AP-605-H	3/4"	102	M8	114.5	42.5	43	305
AP-606-H	1"	125	M10	139.5	56.5	57	365