

## MP3-G Series Overview

### Description

Cosmau MP3-G series multiple passage rotary unions with 3 channel for media transfer, design for compressed air, gas in rotating system.

- Transmit compressed air, gas when 360°unrestricted rotation
- Combined with electrical slip ring,transfer power,control signal, data
- Through hole or flange structure optional
- Available all kinds of custom solutions



### Specifications

Item	
Pneumatic Channel	3
Pressure	-100kPa ~ 10bar
Connection Szie	M5, 1/8" 1/4", 3/8", 1/2"
Connection Type	NPT, BSPP
Operating Temperature	-5° C to 80° C
Suitable Media	Air / Gas / Vacuum
Speed	200 RPM (reference value)
Material	AL alloy

All values listed under Technical Specifications are dependent on a combination of all application parameters. Please note operational life is dependent upon both rotational speed and duty cycle.

### Options

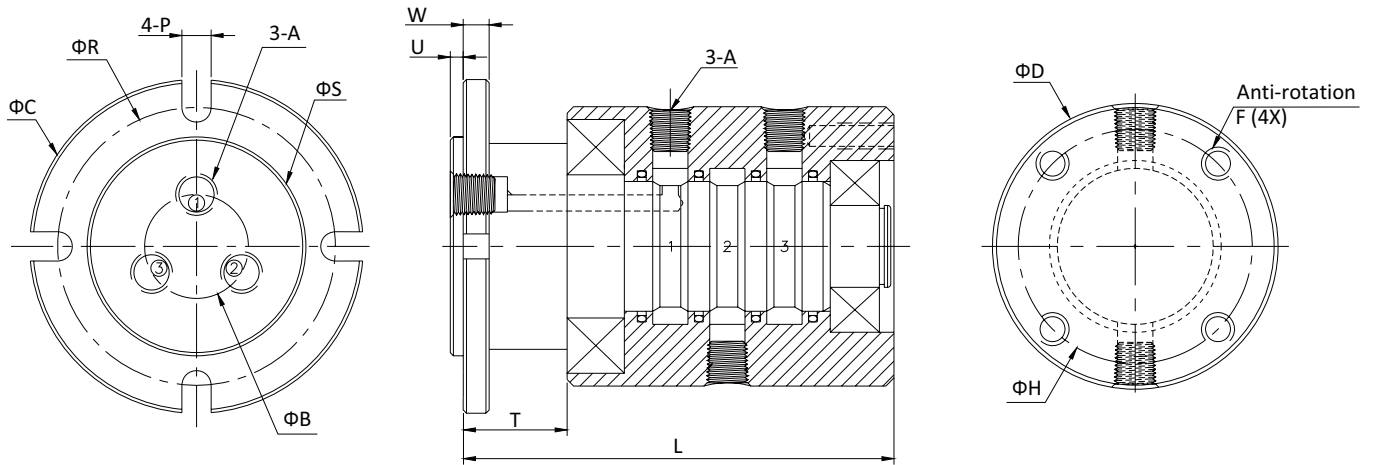
- Mounting Flange
- Connection Size
- Connection Type
- Material
- Pressure
- Media
- Optional Speed
- Combine with electrical slip ring

## INTRODUCE

## MP3-G

5

## MP3-G Series Dimensions



Part#	A(BSPP/NPT)	$\Phi B$	$\Phi C$	$\Phi D$	$\Phi R$	$\Phi S$	U	W	T	P	F	$\Phi H$	L
MP-301-G	1/8"	20	59.5	59.5	50	40	3	6	21	5.2	M5	50	78.8
MP-302-G	1/4"	22	59.5	59.5	50	40	3	6	21	5.2	M5	50	83.4
MP-303-G	3/8"	27	79.5	79.5	69	57	3	6	21	M6	M6	69	94.1
MP-304-G	1/2"	32	89.5	89.5	79	64	3	7	25	M6	M6	79	107.4