

## MP3-G-XT Series Overview

### Description

Cosmau MP3-G-XT series multiple passage rotary unions with 3 channel for media transfer, design for compressed air, gas in rotating system.

- Transmit compressed air, gas when 360°unrestricted rotation
- Combined with electrical slip ring,transfer power,control signal, data
- Through hole or flange structure optional
- Available all kinds of custom solutions



### Specifications

Item	
Pneumatic Channel	3
Pressure	-100kPa ~ 10bar
Connection Szie	M5, 1/8" 1/4", 3/8"
Connection Type	BSPP
Operating Temperature	-18° C to 120° C
Suitable Media	Air / Gas / Vacuum
Speed	200 RPM (reference value)
Material	AL alloy housing, Carbon Steel Shaft
Service life	80 million rotations

**Note:** All values listed under Technical Specifications are dependent on a combination of all application parameters. Please note service life is dependent upon both rotational speed and duty cycle.

### Options

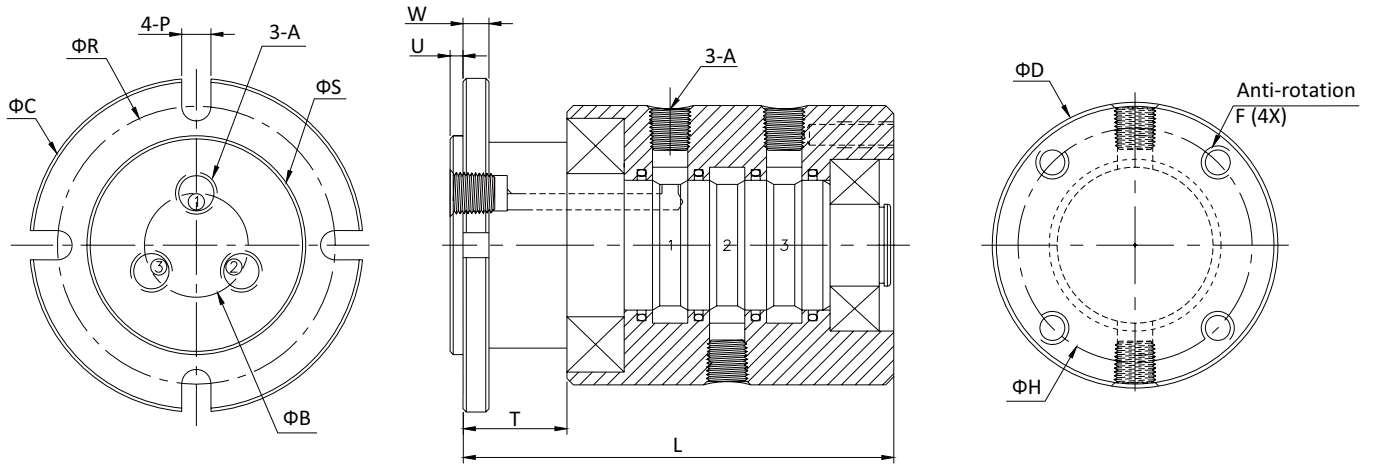
- Mounting Flange
- Connection Size
- Connection Type
- Material
- Pressure
- Media
- Optional Speed
- Combine with electrical slip ring

# INTRODUCE

## MP3-G-XT

5

### MP3-G-XT Series Dimensions



Part#	A(BSPP/NPT)	ΦB	ΦC	ΦD	ΦR	ΦS	U	W	T	P	F	ΦH	L
MP-301-G-XT	1/8"	20	59	59	50	40	2	5	21.5	5.2	M5	50	88.9
MP-302-G-XT	1/4"	21	59	59	50	40	2	5	21.5	5.2	M5	50	91.9
MP-303-G-XT	3/8"	26	74	74	63.5	50	2	6	21.5	6.5	M6	63.5	98.9