

CMR6-XT Series Overview

Description

Cosmau CMR6 series multiple passage rotary unions with 6 channel for media transfer, design for compressed air, gas in rotating system.

- Transmit compressed air, gas when 360°unrestricted rotation
- Combined with electrical slip ring,transfer power,control signal, data
- Through hole or flange structure optional
- Low torque



Specifications

Item	
Pneumatic Channel	6
Pressure	-100kPa ~ 10bar
Connection Szie	M5, 1/8" 1/4", 3/8"
Connection Type	BSPB
Operating Temperature	-18° C to 120° C
Suitable Media	Air / Gas / Vacuum
Speed	200 RPM (reference value)
Material	AL alloy housing, Carbon Steel Shaft
Service life	80 million rotations

Note: All values listed under Technical Specifications are dependent on a combination of all application parameters. Please note service life is dependent upon both rotational speed and duty cycle.

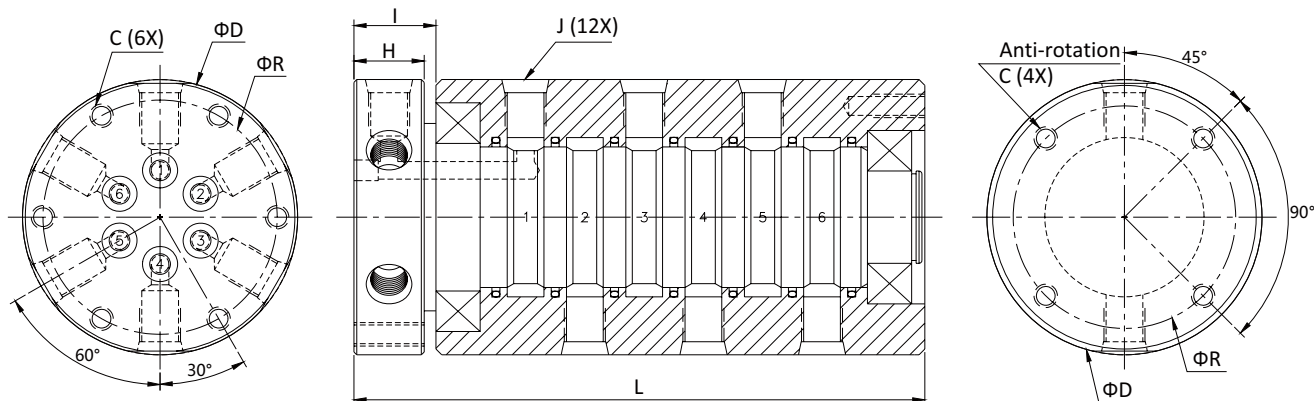
Options

- Mounting Flange
- Connection Size
- Connection Type
- Material
- Pressure
- Media
- Optional Speed
- Combine with electrical slip ring

INTRODUCE

CMR6-XT

7 CMR6-XT Series Dimensions



Part#	J(BSPP/NPT)	ΦR	C	ΦD	H	I	L
CMR-600-XT	M5	40	M5	49	14.5	15	101
CMR-601-XT	1/8"	50	M5	59	18.5	19.5	120.9
CMR-602-XT	1/4"	50	M5	59	21.5	22.5	130.9
CMR-603-XT	3/8"	64	M6	74	27.5	28.5	147.9